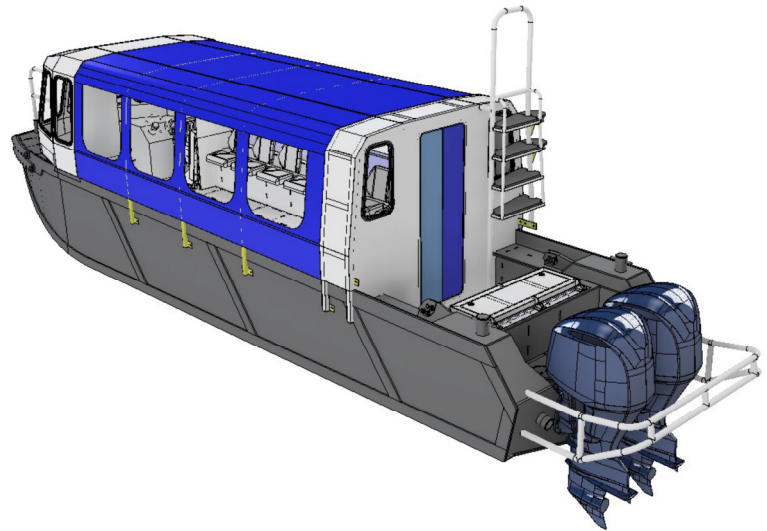
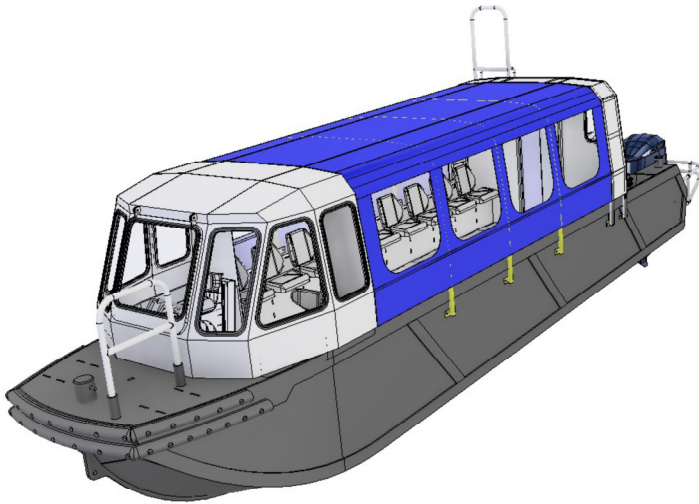
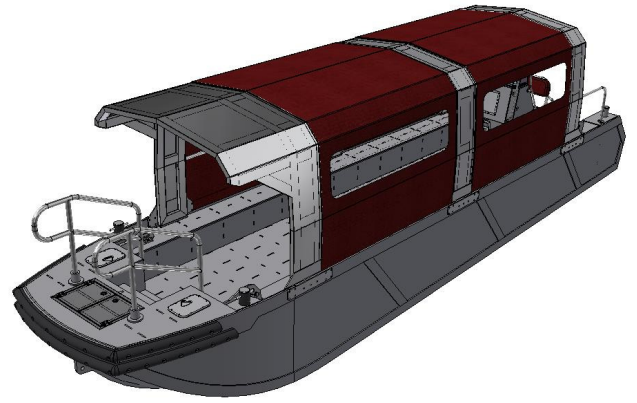
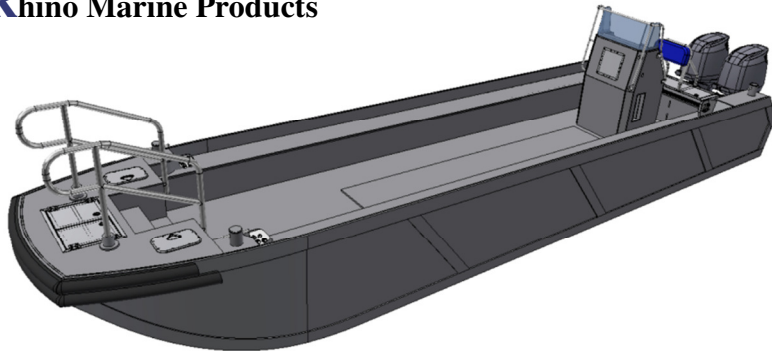




**Rhino Marine Products**



## **950 SBH & 1000 SBE**

### **RHINO 950 SBH SPECIFICATIONS**

*CLASS/CATEGORY: Category B*  
*PROPULSION1: SINGLE/TWIN OUTBOARD*  
*PROPULSION2: SINGLE/TWIN INBOARD-JET/STERN*  
*MAX REC POWER: 900 HP*  
*MAX REC SPEED 45 KNOTS*  
*FUEL: GASOLINE/DIESEL BUILT IN ALU 450 L TANK*  
*MATERIAL: HDPE*  
*ISO CATEGORY: B*  
*LENGTH OVERALL: 9.7m*  
*BREADTH: 2.29m*  
*DEPTH HAND RAIL TO KEEL: 2.61m*  
*LIGHT DRAFT: 0.345 m*  
*DRY WEIGH: 3250 KG*  
*RECOMMENDED MAX PAYLOAD: 4500 KG*  
*MAX PERSONNEL: 11*  
*SHIPPING SPEC: 40 FT CONTAINER*

### **RHINO 1000 SBE SPECIFICATIONS**

*CLASS/CATEGORY: Category B*  
*PROPULSION1: SINGLE/TWIN OUTBOARD*  
*PROPULSION2: SINGLE/TWIN INBOARD-JET/STERN*  
*MAX REC POWER: 900 HP*  
*MAX REC SPEED 45 KNOTS*  
*FUEL: GASOLINE/DIESEL BUILT IN ALU 450 L TANK*  
*MATERIAL: HDPE*  
*ISO CATEGORY: B*  
*LENGTH OVERALL: 10.1 m*  
*BREADTH: 2.29m*  
*DEPTH HAND RAIL TO KEEL: 2.61m*  
*LIGHT DRAFT: 0.345 m*  
*DRY WEIGHT: 3600KG*  
*RECOMMENDED MAX PAYLOAD: 4500 KG*  
*MAX PERSONNEL: 11*  
*SHIPPING SPEC: 40 FT CONTAINER*

*\*SPECIFICATIONS IN THIS DOCUMENT ARE CIRCUMSTANTIAL & SUBJECT TO CHANGE. DRY WEIGHT, PAYLOAD AND PERSONNEL CAPACITY WILL VARY DEPENDING ON PROPULSION, EQUIPMENT & SUPER STRUCTURE INSTALATIONS. BOAT PERFORMANCE WILL VARY IN DEFFERENT SEASTATE CONDITIONS.*

